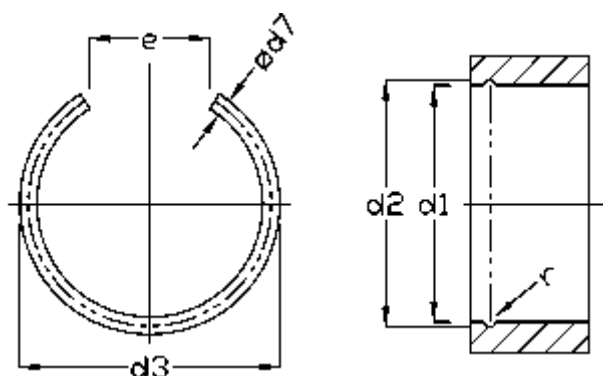


Data Sheet



Article number: 0129065
Description: Circlip RB 48 DIN 7993
WA-RB 48

Measures



d1	= 48
d2	= 50.50
d3	= 51.0
d7	= 2.5
Description	= RB 48
e	= 16
r	= 1.4
tol	= +0,10 -0,10

tol	= 0.8
Weight kg/1000	= 999.999